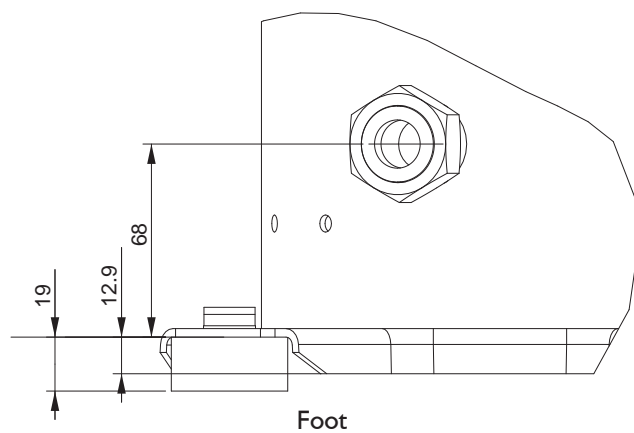
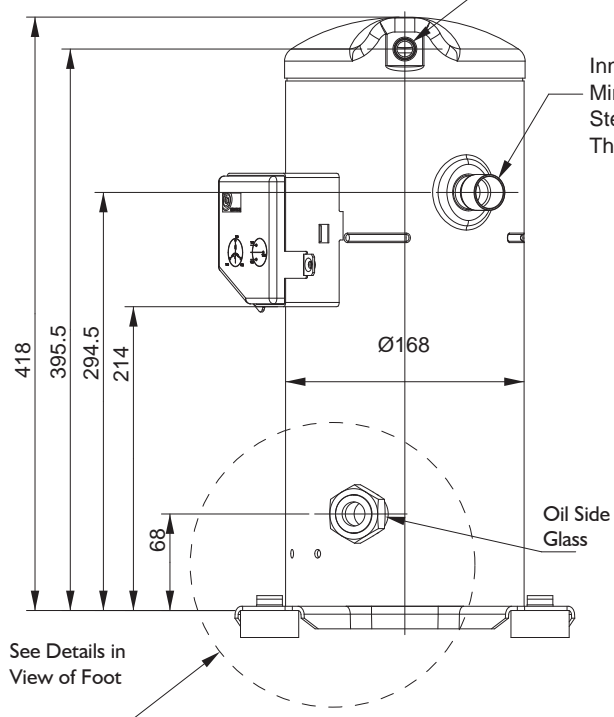


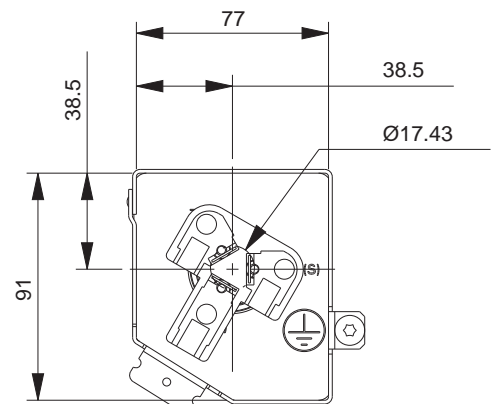
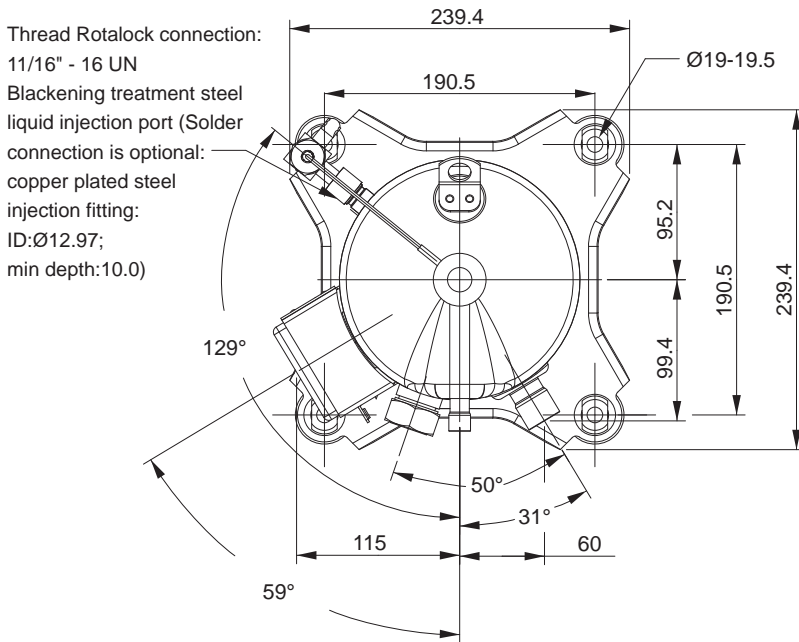
Wiring Diagram

Inner Diameter Ø 12.87 - 12.97
Min. Depth: 10.6
Steel Tube with Copper Plating
Thickness of Copper: 0.04-0.08

Inner Diameter Ø 22.35-22.45
Min. Depth: 17.3
Steel Tube with Copper Plating
Thickness of Copper: 0.04-0.08

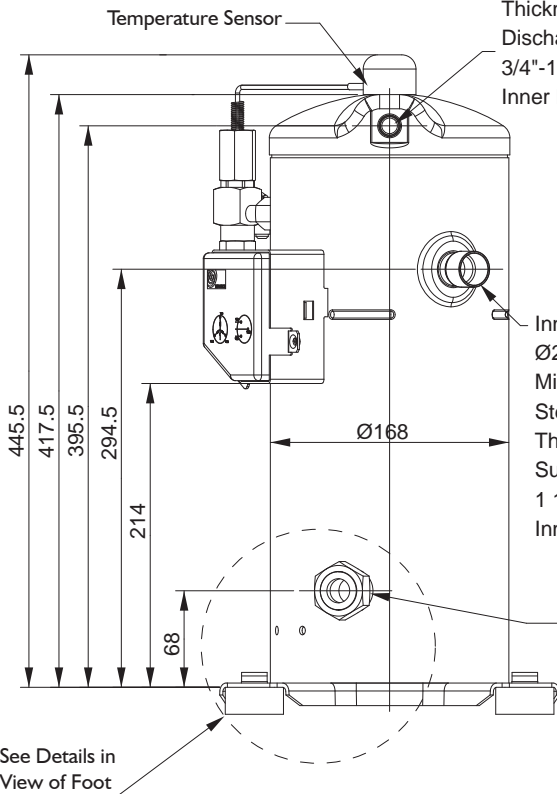


Foot

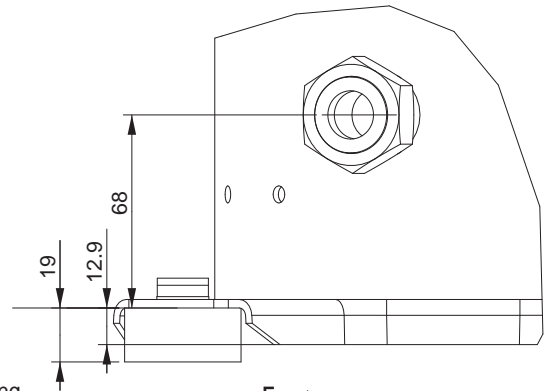


Wiring Diagram

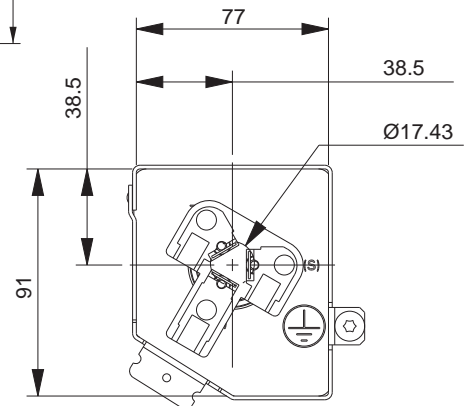
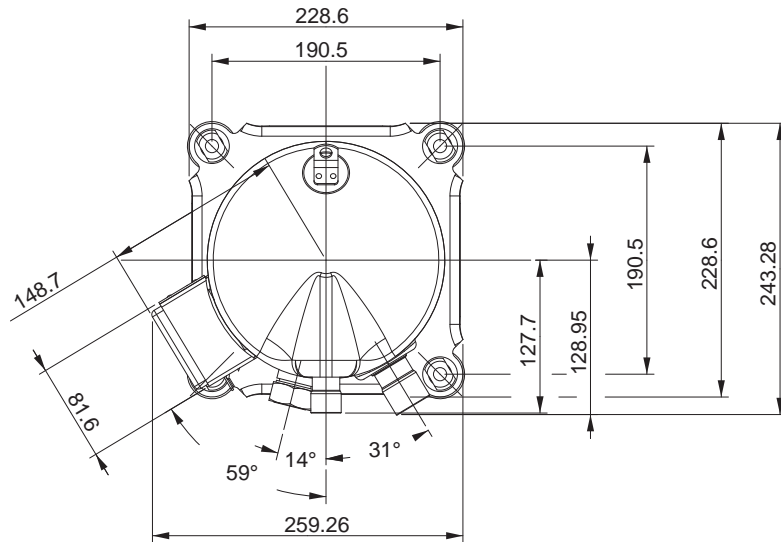
Inner Diameter Ø 12.87 - 12.97
Min. Depth:10.6
Steel Tube with Copper Plating
Thickness of Copper: 0.04-0.08
Discharge Tube (Screw)
3/4"-16 UNF 2A
Inner Diameter: Ø9mm



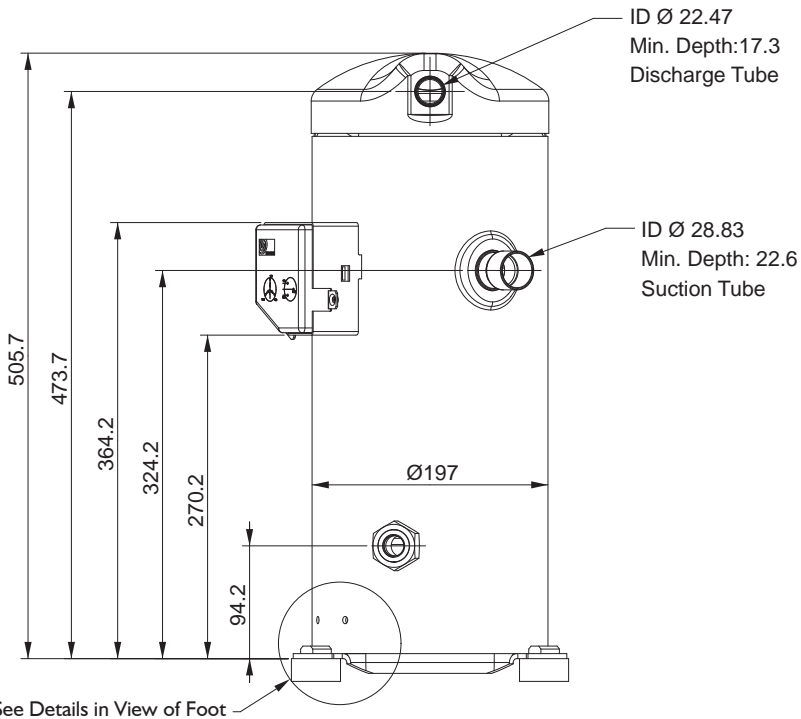
Inner Diameter
Ø22.35-22.45
Min. Depth: 17.3
Steel Tube with Copper Plating
Thickness of Copper: 0.04-0.08
Suction Tube (Screw)
1 1/4"-12 UNF 2A
Inner Diameter: Ø19.2mm



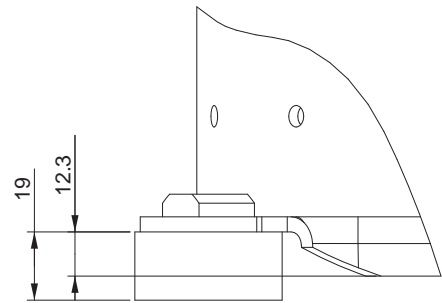
Foot



Wiring Diagram



See Details in View of Foot



Foot